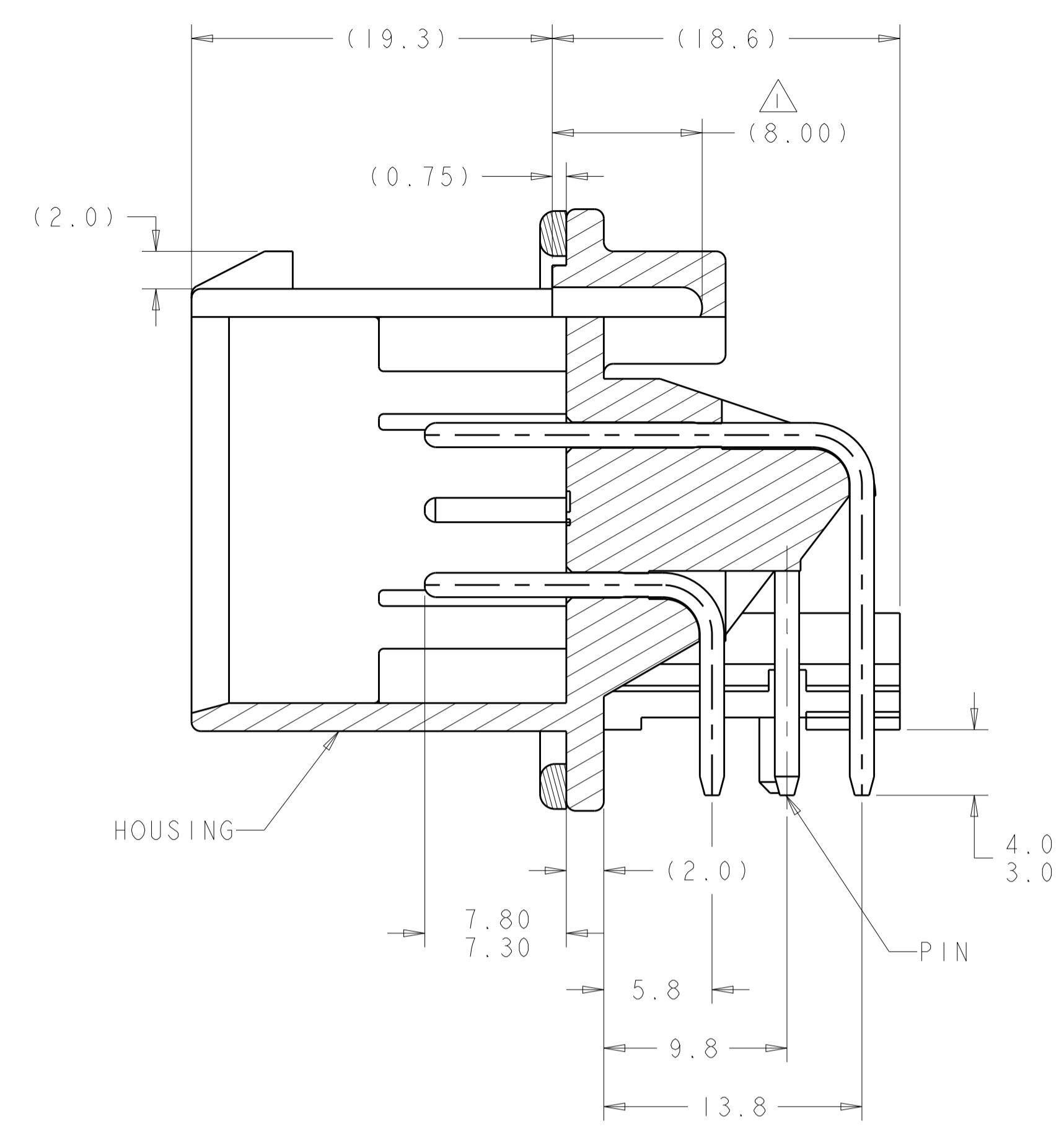
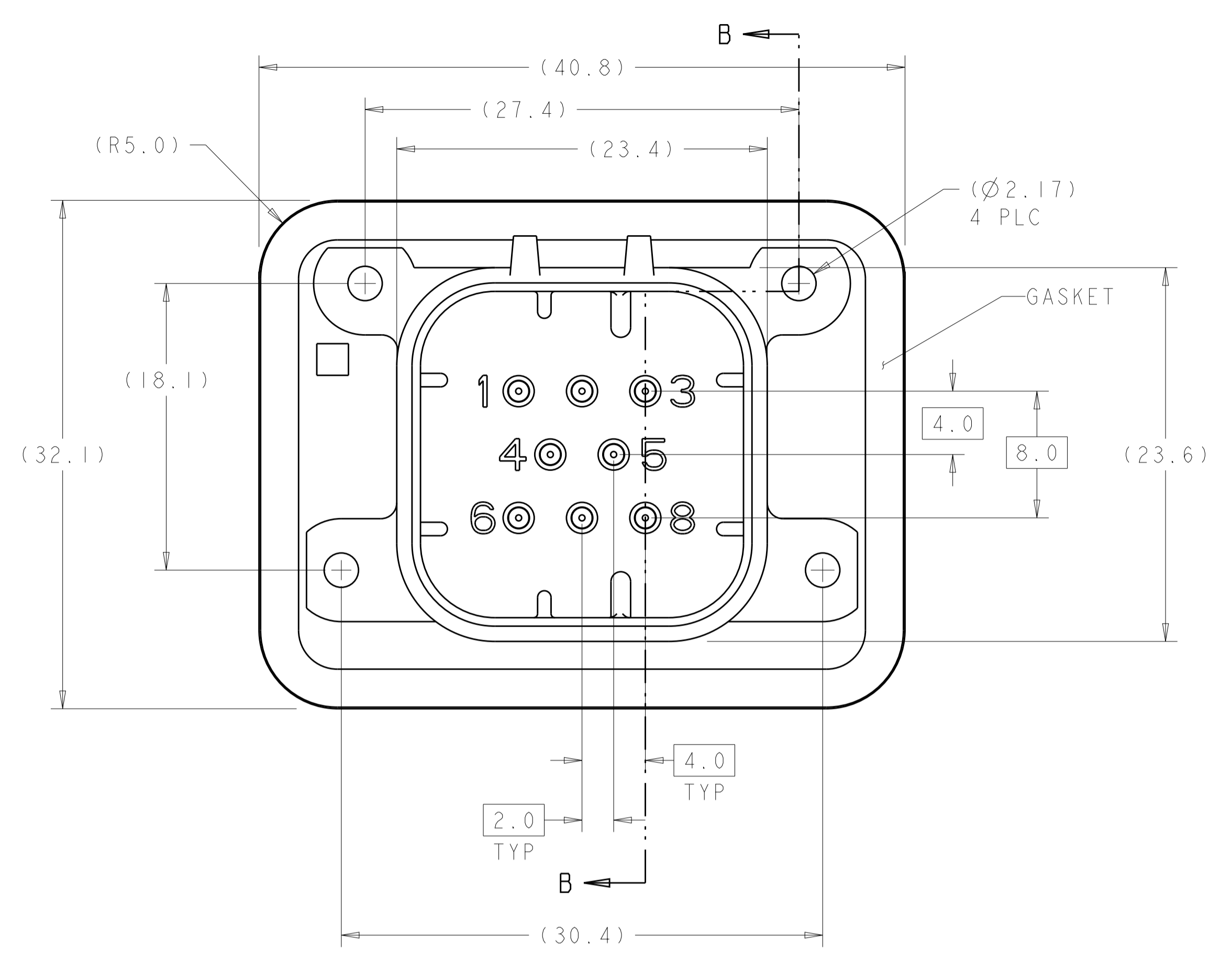
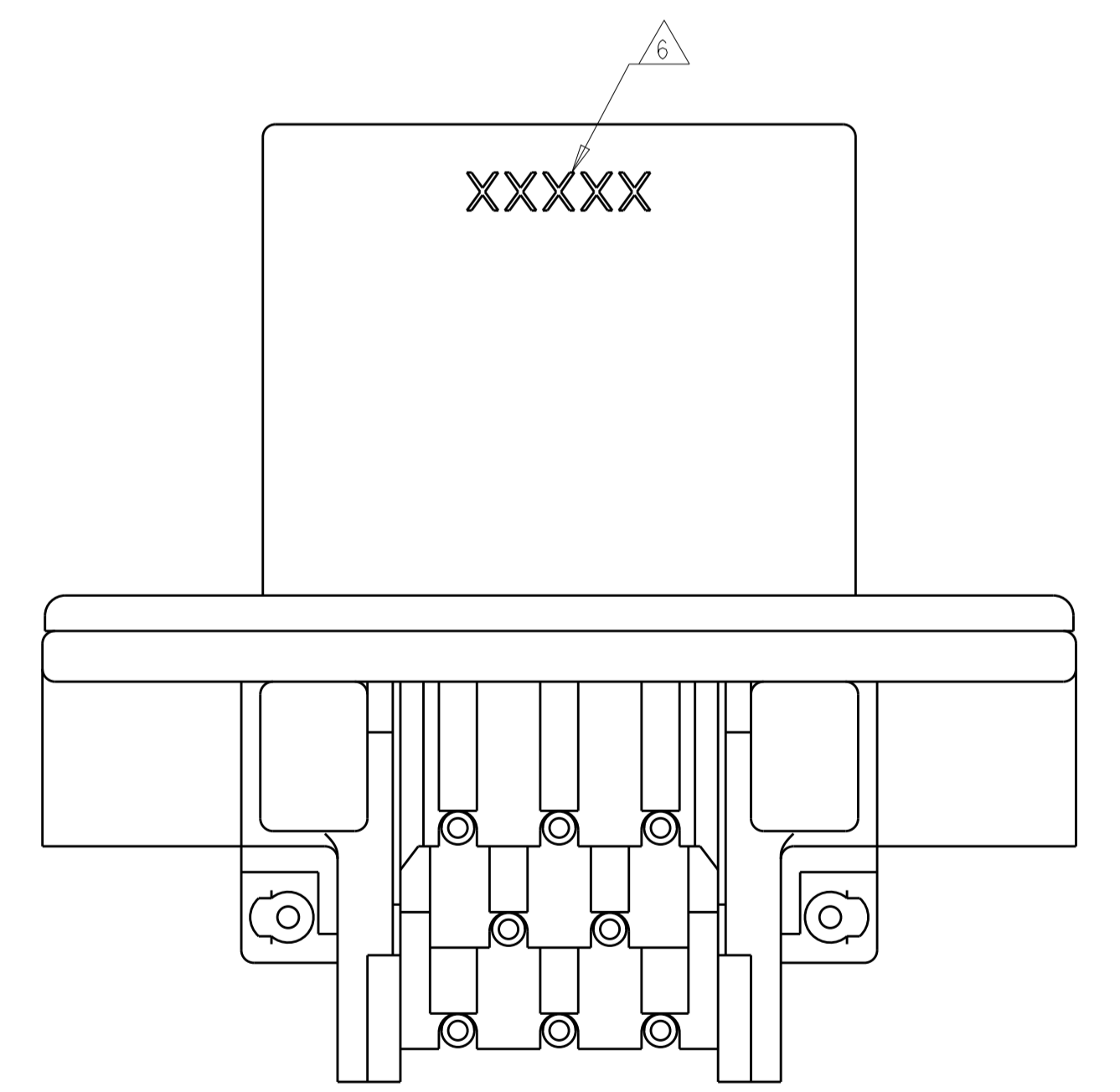


REVISIONS				
P.	LTN	DESCRIPTION	DATE	APVD
F5		REVISED PER ECO-13-020268	31DEC2013	DLD DCS
F6		REVISED PER ECO-14-019367	20JAN2015	DD DS
F7		REVISED PER ECO-15-003872	25MAR2015	DD DS
F8		REVISED PER ECO-16-003526	09MAR2016	JM DS



- △ ACCEPTS #3 SELF TAPPING THREAD FORMING SCREWS OR METRIC EQUIVALENT. DRIVE TO 0.6-0.8 N-m.
- △ HOUSING COLORS ARE MECHANICALLY KEYS TO MATE ONLY WITH IDENTICALLY COLORED PLUG ASSEMBLIES.
- △ REFER TO PAGE 2 FOR 776280-6 ASSEMBLY DIMENSIONS, RECOMMENDED MOUNTING HOLE AND P.C. BOARD LAYOUT ARE THE SAME FOR ALL DASH NUMBERS.
- 4. HEADER MATES TO PLUG ASSEMBLY 776286 WHICH USES REELED TERMINALS 770520 AND LOOSE PIECE TERMINALS 770854.
- △ MATERIALS: GASKET - SILICONE
 HEADER HOUSING - GLASS FILLED PBT
 PINS - TIN OR GOLD PLATED BRASS
- △ DATE CODE TO BE BRANDED IN THIS LOCATION PER TE SPEC 102-60. USE 5 DIGIT CODE: FIRST 2 DIGITS = YEAR, SECOND 2 DIGITS = WEEK, LAST DIGIT = DAY



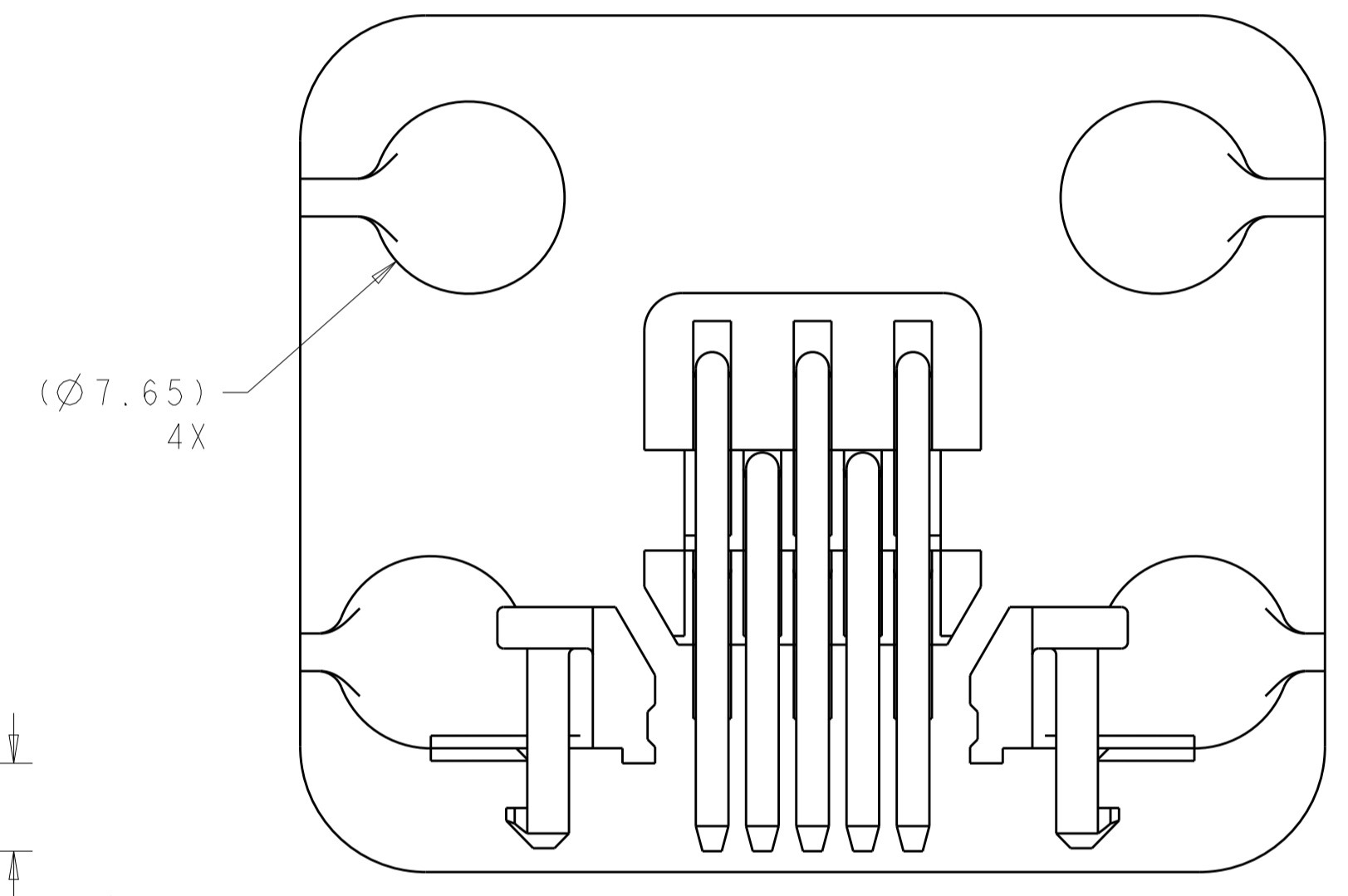
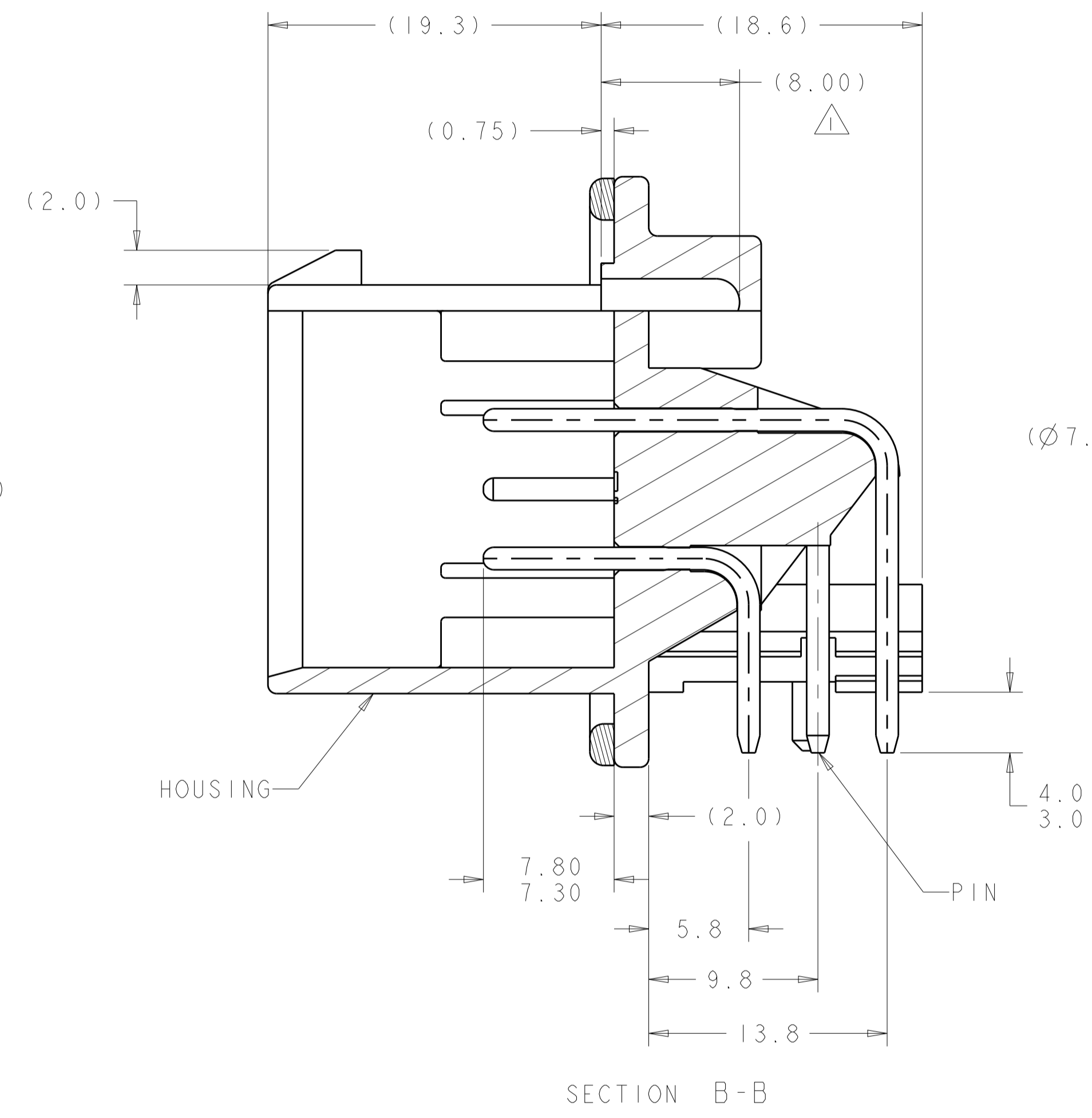
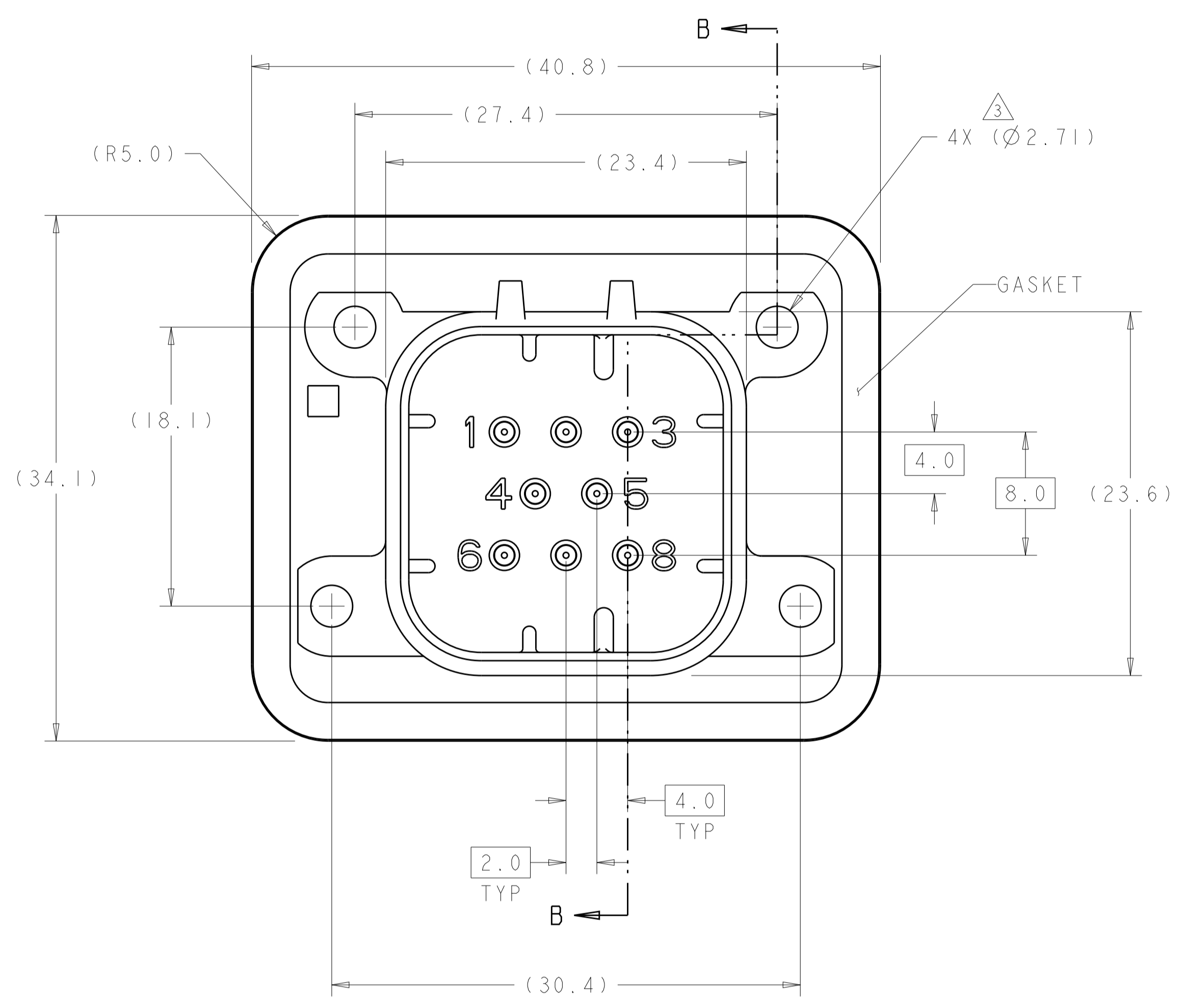
NATURAL	DURAGOLD PLATED	1-776280-2
BLACK	DURAGOLD PLATED	1-776280-1
BLACK	TIN PLATED	△ 776280-6
NATURAL	TIN PLATED	776280-2
BLACK	TIN PLATED	776280-1
HEADER HOUSING COLOR	PIN	PART NUMBER

THIS DRAWING IS A CONTROLLED DOCUMENT.

DIMENSIONS:	TOLERANCES UNLESS OTHERWISE SPECIFIED:	OWN J. MARKEY 29FEB08	
mm	0 PLC ±0.2	CHK J. MARKEY 29FEB08	
	2 PLC ±0.13	APVD J. MARKEY 29FEB08	
	5 PLC ±0.13		
MATERIAL	FINISH	PRODUCT SPEC 108-1329	NAME
		APPLICATION SPEC 114-16016	HEADER ASSEMBLY, 8 POSITION, RIGHT ANGLE, AMPSEAL
		WEIGHT	SIZE CAGE CODE DRAWING NO RESTRICTED TO
			A100779C=776280
		CUSTOMER DRAWING	SCALE 4:1 SHEET 1 OF 3 REV F8

REVISIONS				
P.	LTN.	DESCRIPTION	DATE	APVD.
-	-	SEE SHEET 1	-	-

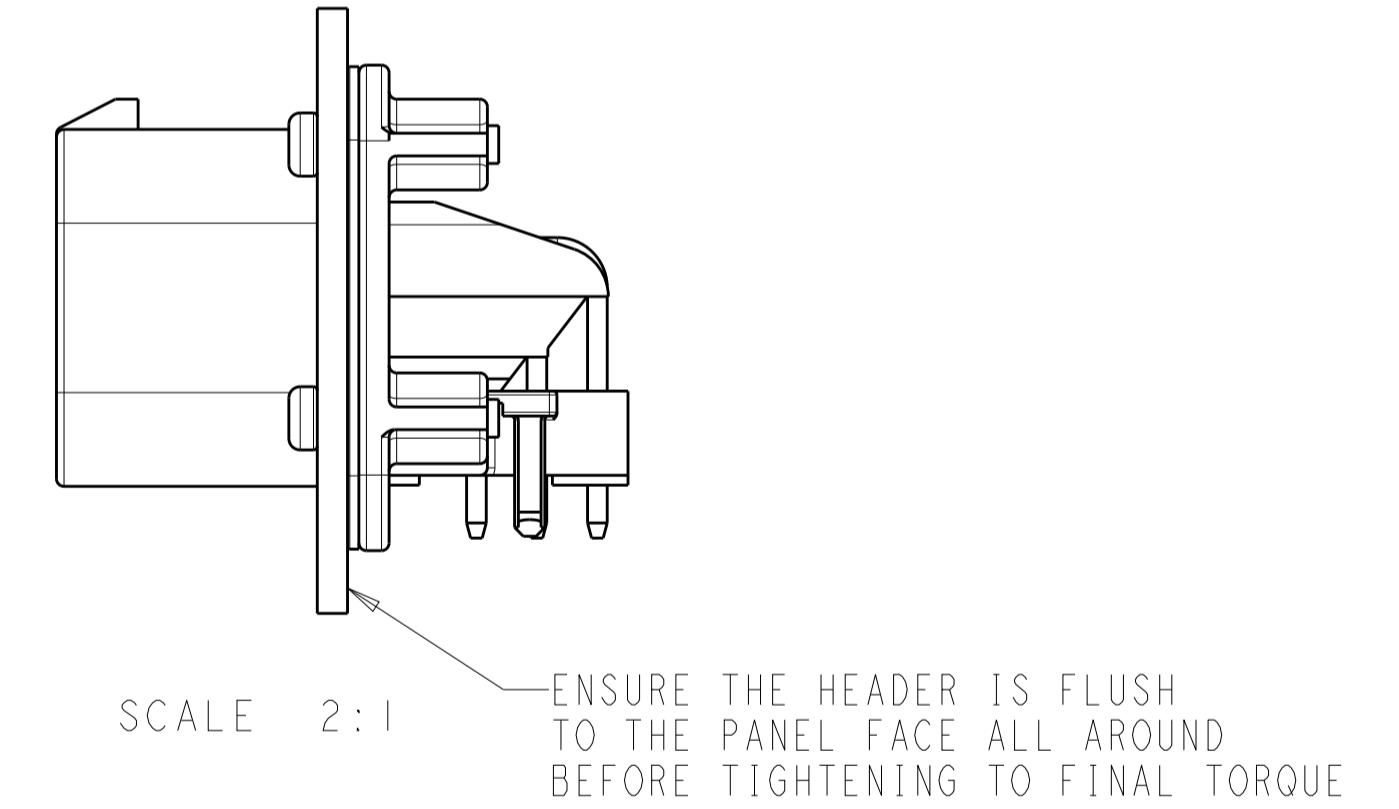
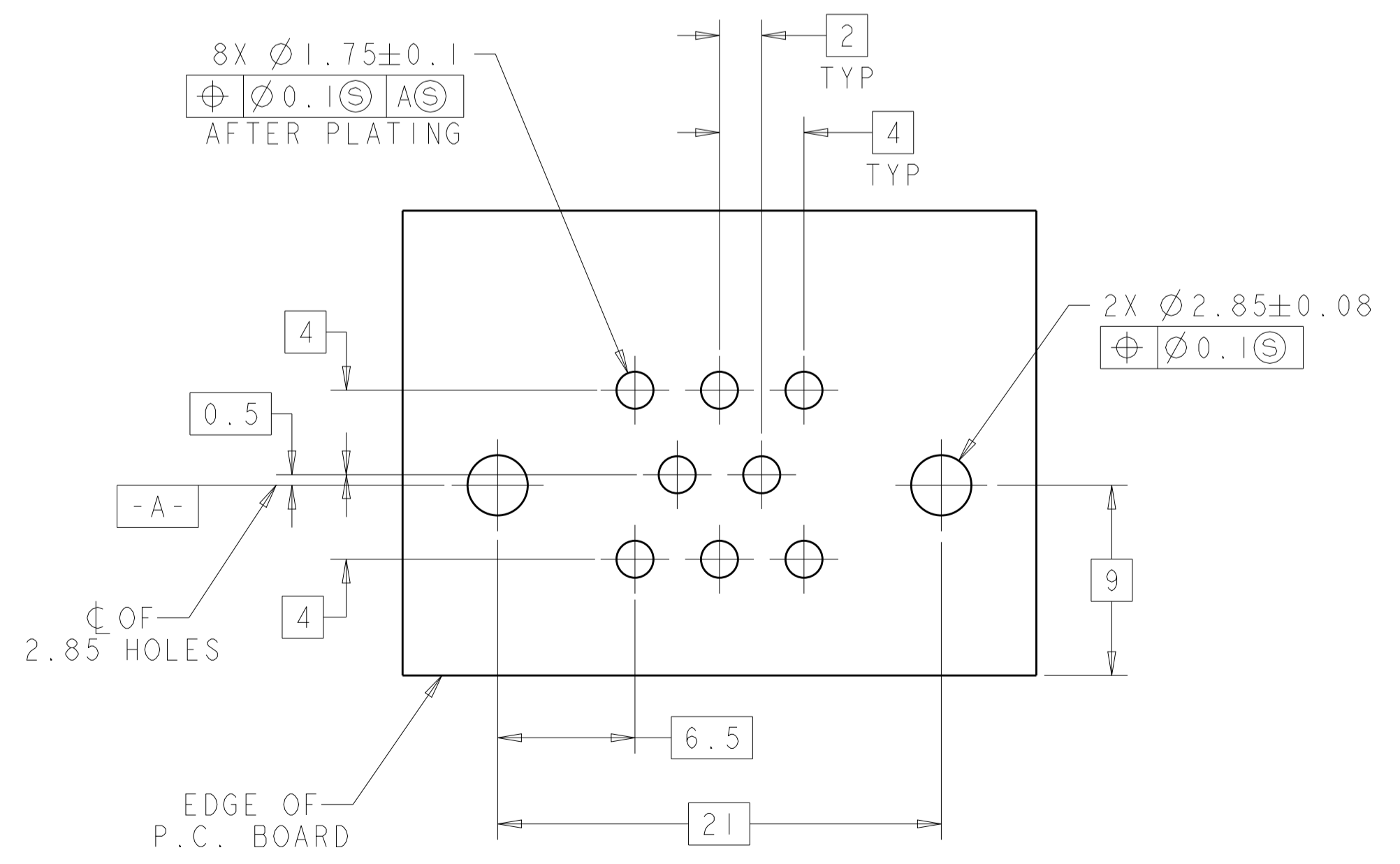
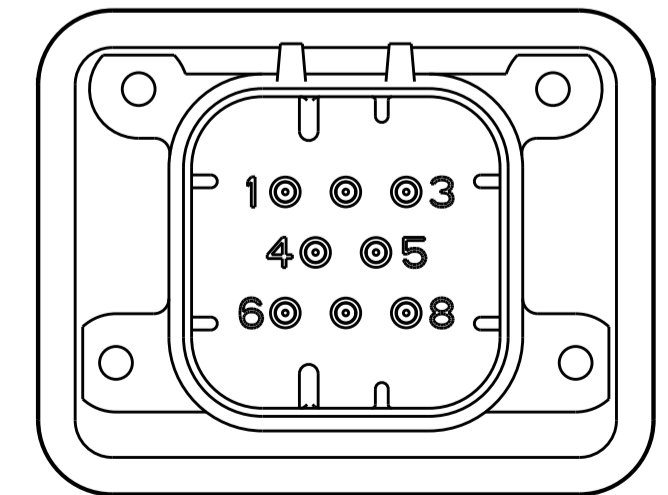
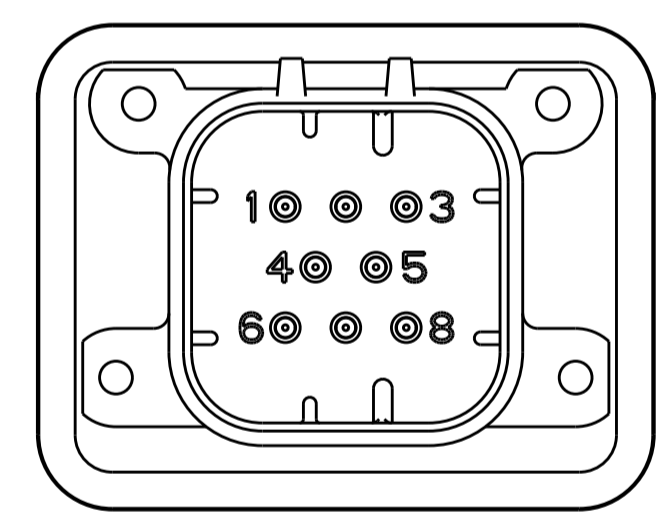
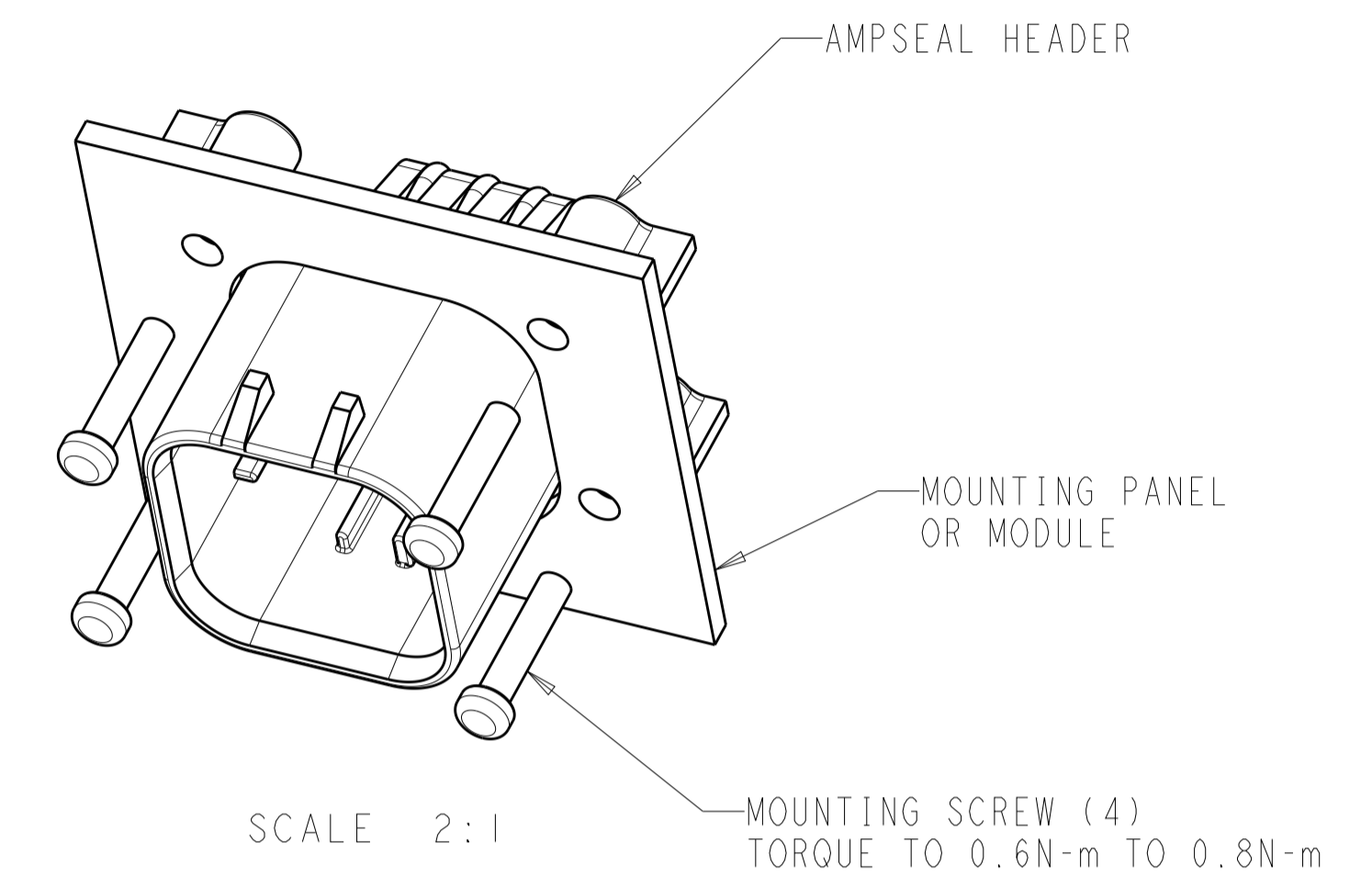
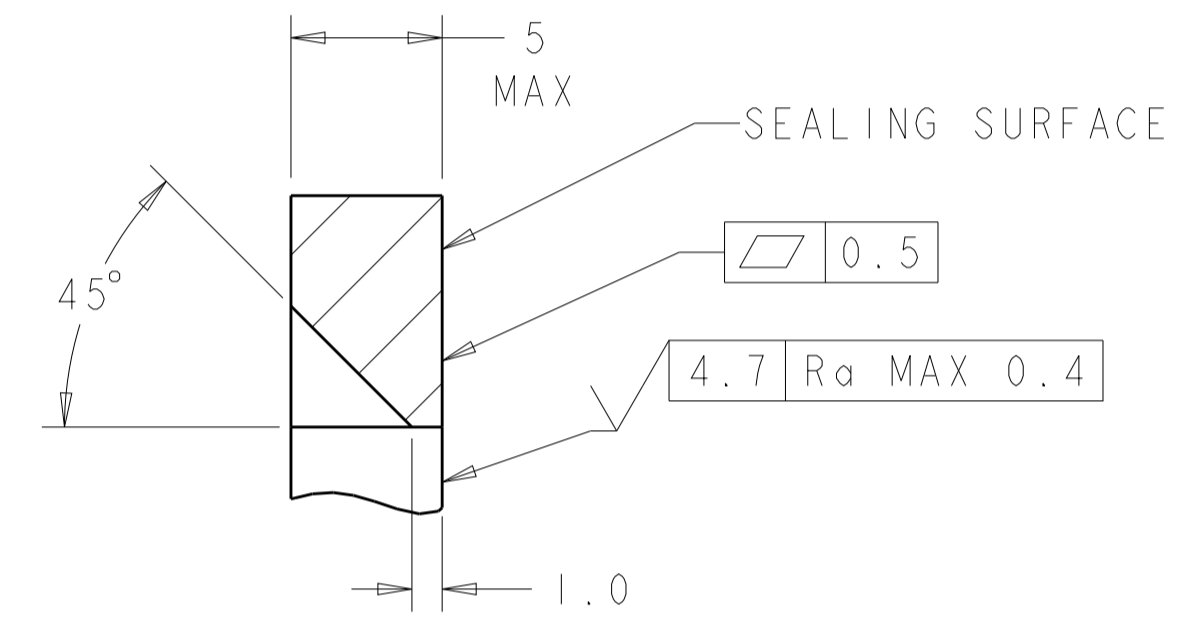
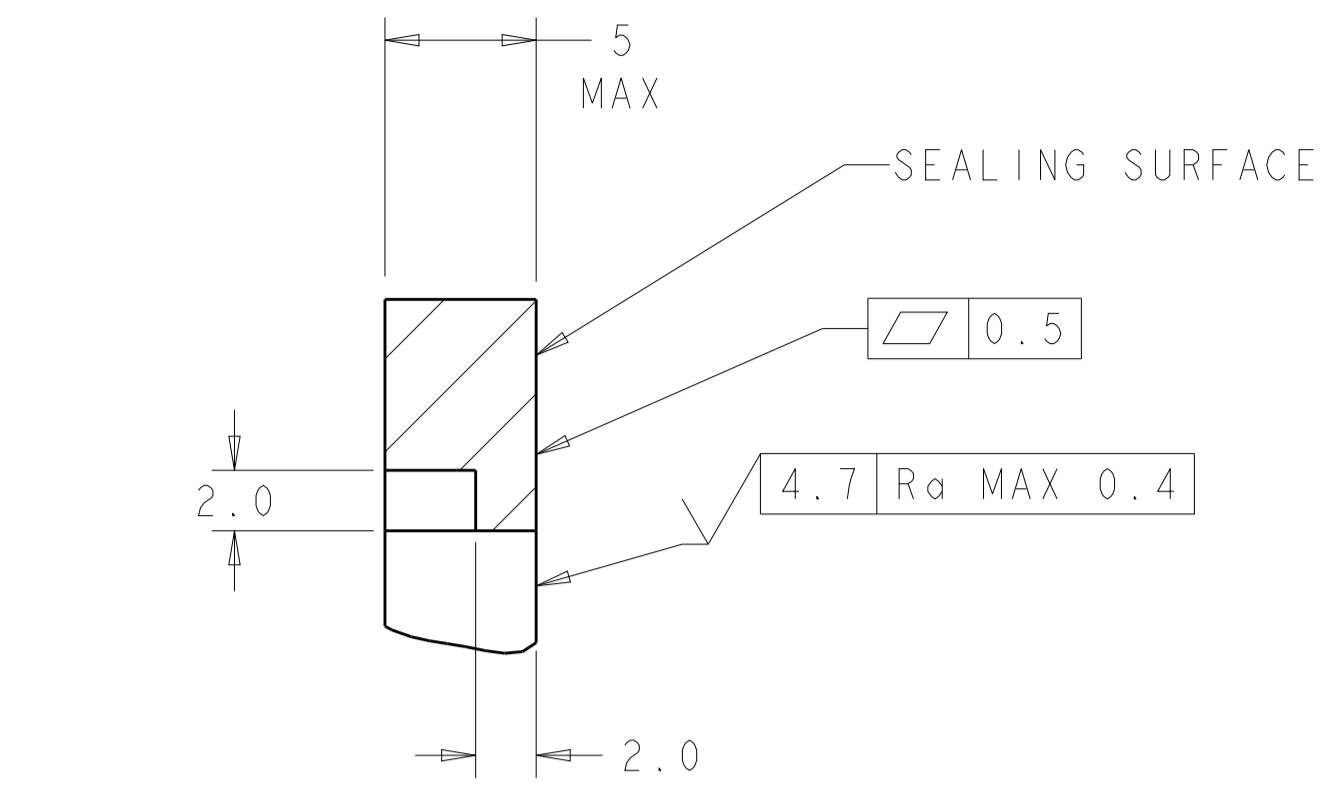
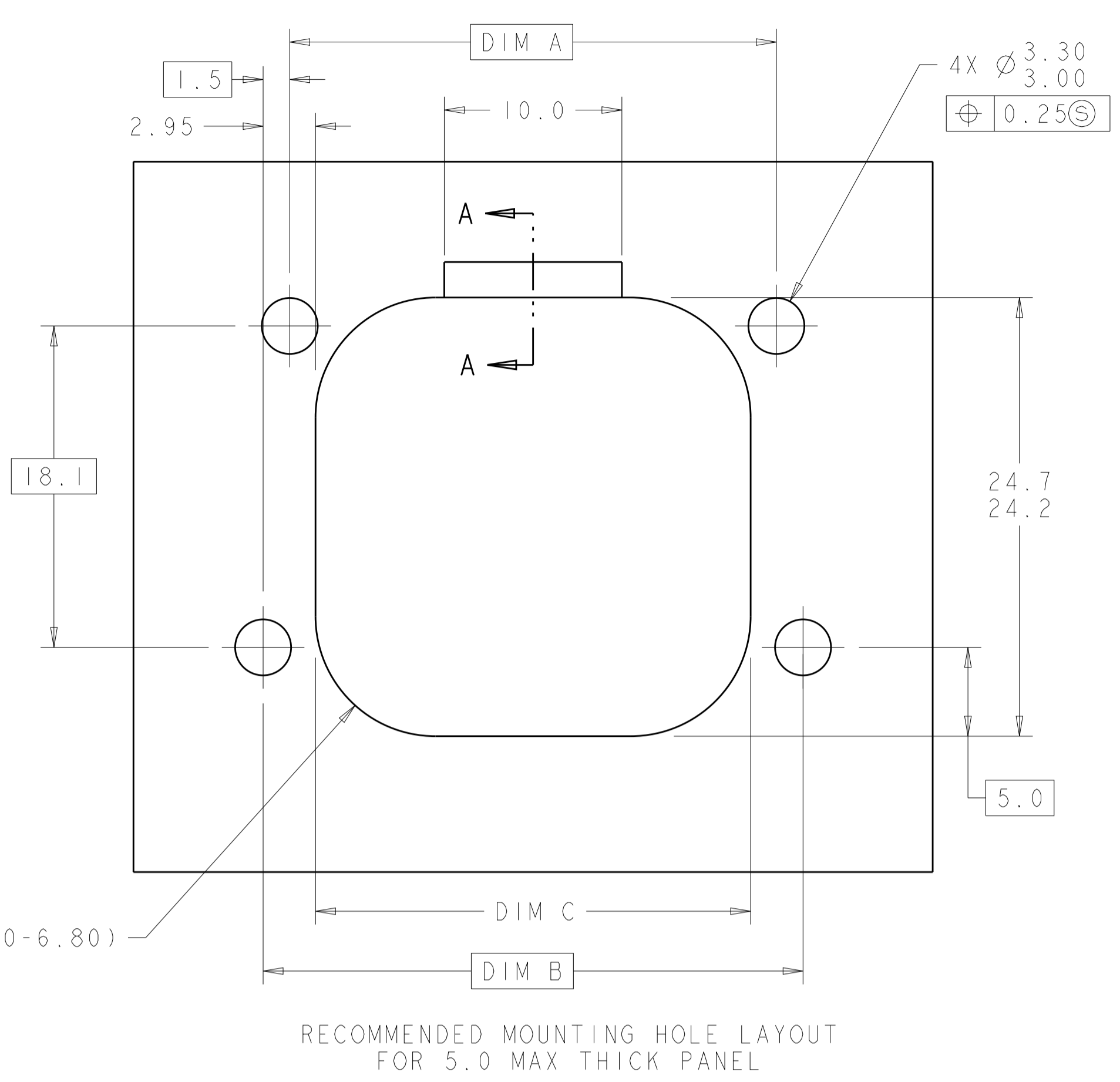
- ① ACCEPTS #4-20 SELF TAPPING THREAD FORMING TWIN HELIX PLASTITE SCREW (SINGLE HELIX OPTIMAL)
- ② HOUSING COLORS ARE MECHANICALLY KEYED TO MATE ONLY WITH IDENTICALLY COLORED PLUG ASSEMBLIES.
- ③ 0° 30' MAX DRAFT FROM TOP OF HOLE (1° INCLUDED ANGLE)



ASSEMBLY DIMENSIONS APPLY TO 776280-6 ONLY
(HOLE LAYOUT AND P.C. BOARD LAYOUT SHOWN ON SHEET 1 APPLY TO ALL DASH NUMBERS)

BLACK		TIN PLATED	776280-6
HEADER HOUSING COLOR		PIN	PART NUMBER
DIMENSIONS: mm TOLERANCES UNLESS OTHERWISE SPECIFIED: 0 PLC ± 1 PLC ±0.2 2 PLC ±0.13 3 PLC ± 4 PLC ± ANGLES ± FINISH ±4°		DWN J. MARKEY 29FEB08 CHK J. MARKEY 29FEB08 APVD J. MARKEY 29FEB08 PRODUCT SPEC 108-1329 APPLICATION SPEC 114-16016 WEIGHT - CUSTOMER DRAWING	
MATERIAL - FINISH -		NAME: HEADER ASSEMBLY, 8 POSITION, RIGHT ANGLE, AMPSEAL SIZE: A1 CAGE CODE: 00779 DRAWING NO: 776280 SCALE: 2:1 SHEET: 2 OF 3 REV: F8	

REVISIONS				
P.	LTN.	DESCRIPTION	DATE	APVD.
-	-	SEE SHEET 1	-	-



THIS DRAWING IS A CONTROLLED DOCUMENT.		DWN J. MARKEY 29FEB08 CHK J. MARKEY 29FEB08 APVD J. MARKEY 29FEB08	TE Connectivity
DIMENSIONS: mm TOLERANCES UNLESS OTHERWISE SPECIFIED: 0 PLC ± 0.2 1 PLC ± 0.13 2 PLC ± 0.13 3 PLC ± 0.13 4 PLC ± 0.13 ANGLES $\pm 0.5^\circ$		PRODUCT SPEC 108-1329 APPLICATION SPEC 114-16016 WEIGHT CUSTOMER DRAWING	